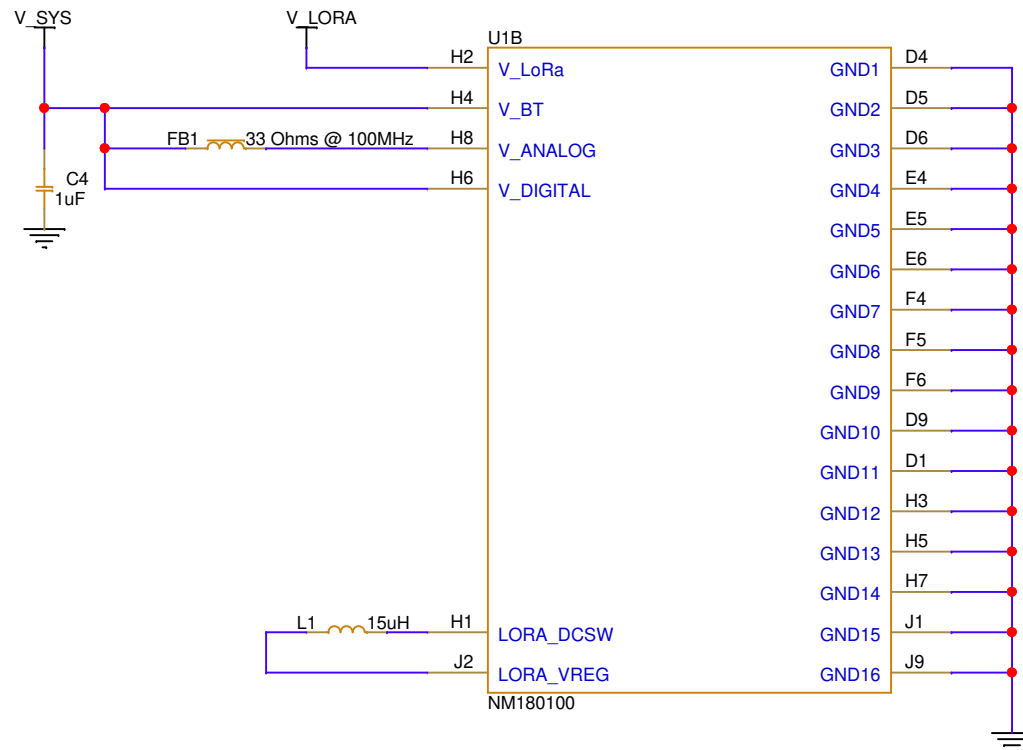
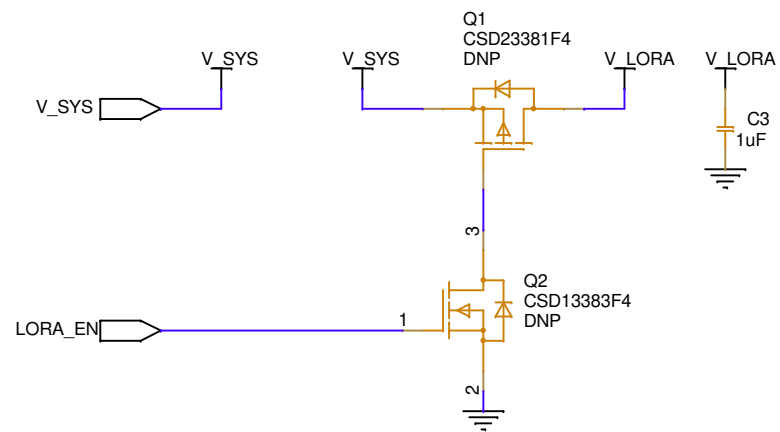

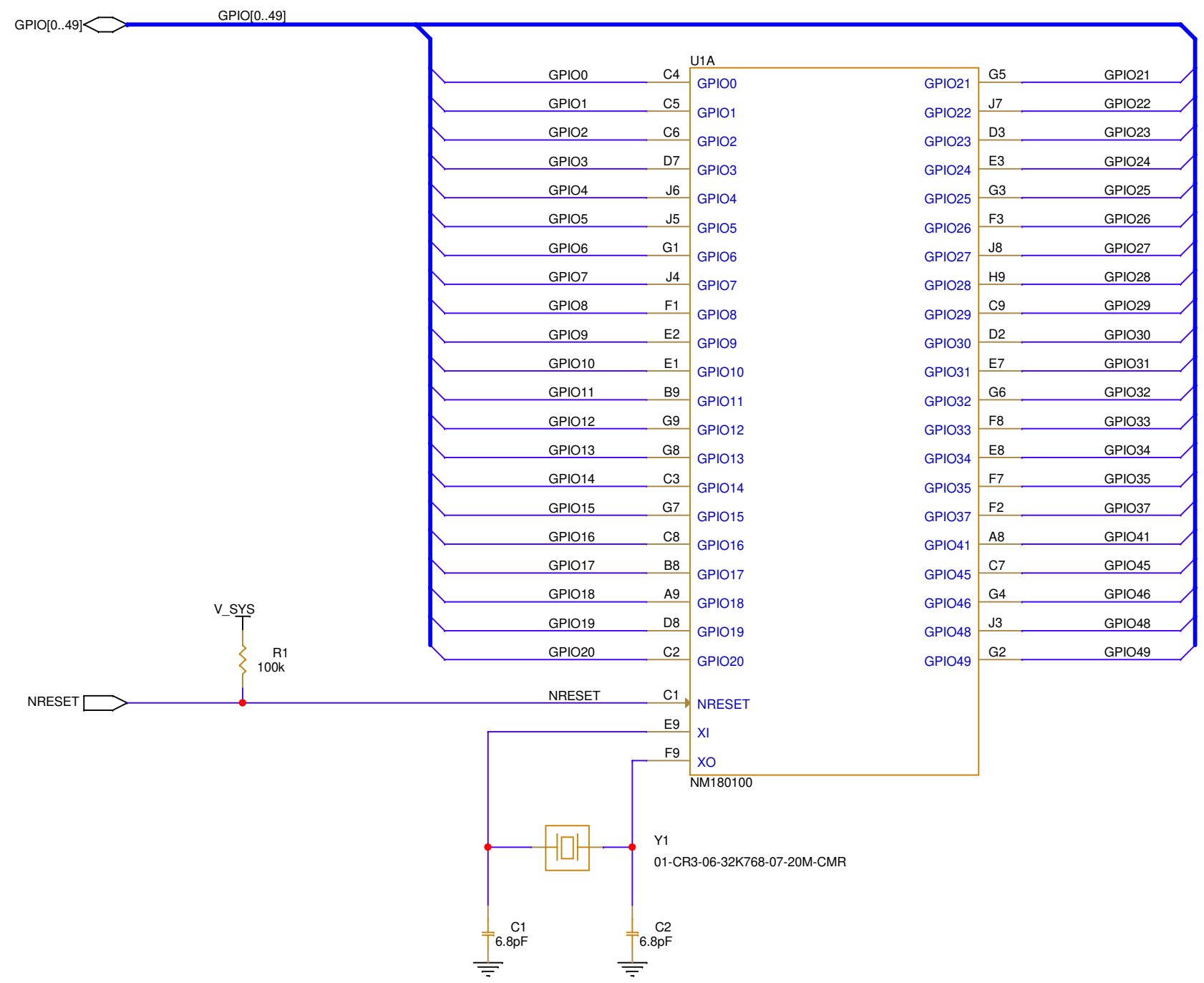

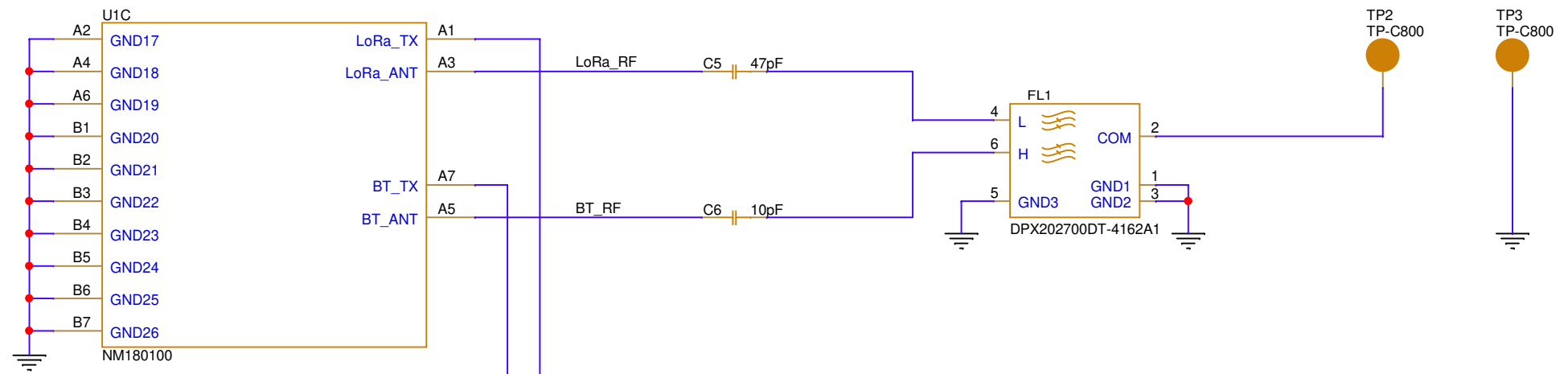
		© 2021 NORTHERN MECHATRONICS INC. ALL RIGHTS RESERVED	
CONFIDENTIAL		PROGRAM Environment Sensor	
DRAWN BY Thomas Sweeney		TITLE Block Diagram	
R&D CHECK			
MFG CHECK			
EDITED BY Thomas Sweeney		DRAWING NUMBER SCH-2000749	REVISION A
LAST EDIT Sunday, October 24, 2021	SIZE B	SHEET 1	of 7



		© 2021 NORTHERN MECHATRONICS INC. ALL RIGHTS RESERVED	
CONFIDENTIAL		PROGRAM Environment Sensor	
DRAWN BY Thomas Sweeney		TITLE Application Processor, Power Circuits	
R&D CHECK		MFG CHECK	
EDITED BY Thomas Sweeney		DRAWING NUMBER SCH-2000749	REVISION A
LAST EDIT Sunday, October 24, 2021	SIZE B	SHEET 2	of 7

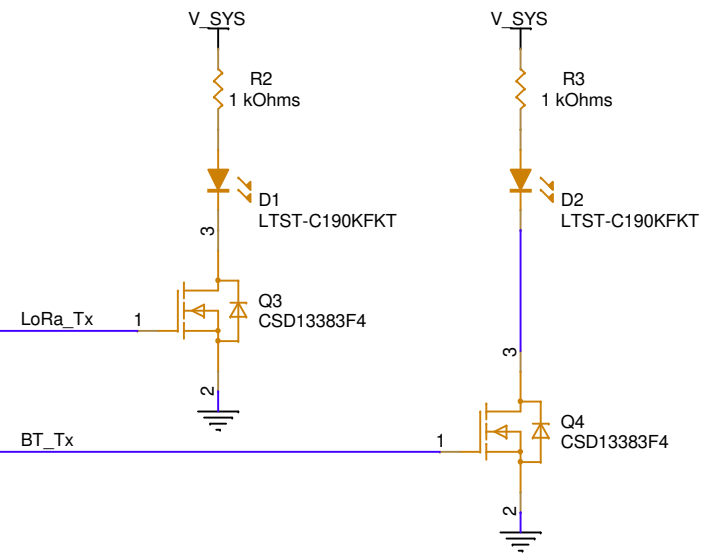



		© 2021 NORTHERN MECHATRONICS INC. ALL RIGHTS RESERVED	
CONFIDENTIAL		PROGRAM Environment Sensor	
DRAWN BY Thomas Sweeney		TITLE Application Processor, GPIOs	
R&D CHECK			
MFG CHECK			
EDITED BY Thomas Sweeney		DRAWING NUMBER SCH-2000749	REVISION A
LAST EDIT Sunday, October 24, 2021	SIZE B	SHEET 3	of 7

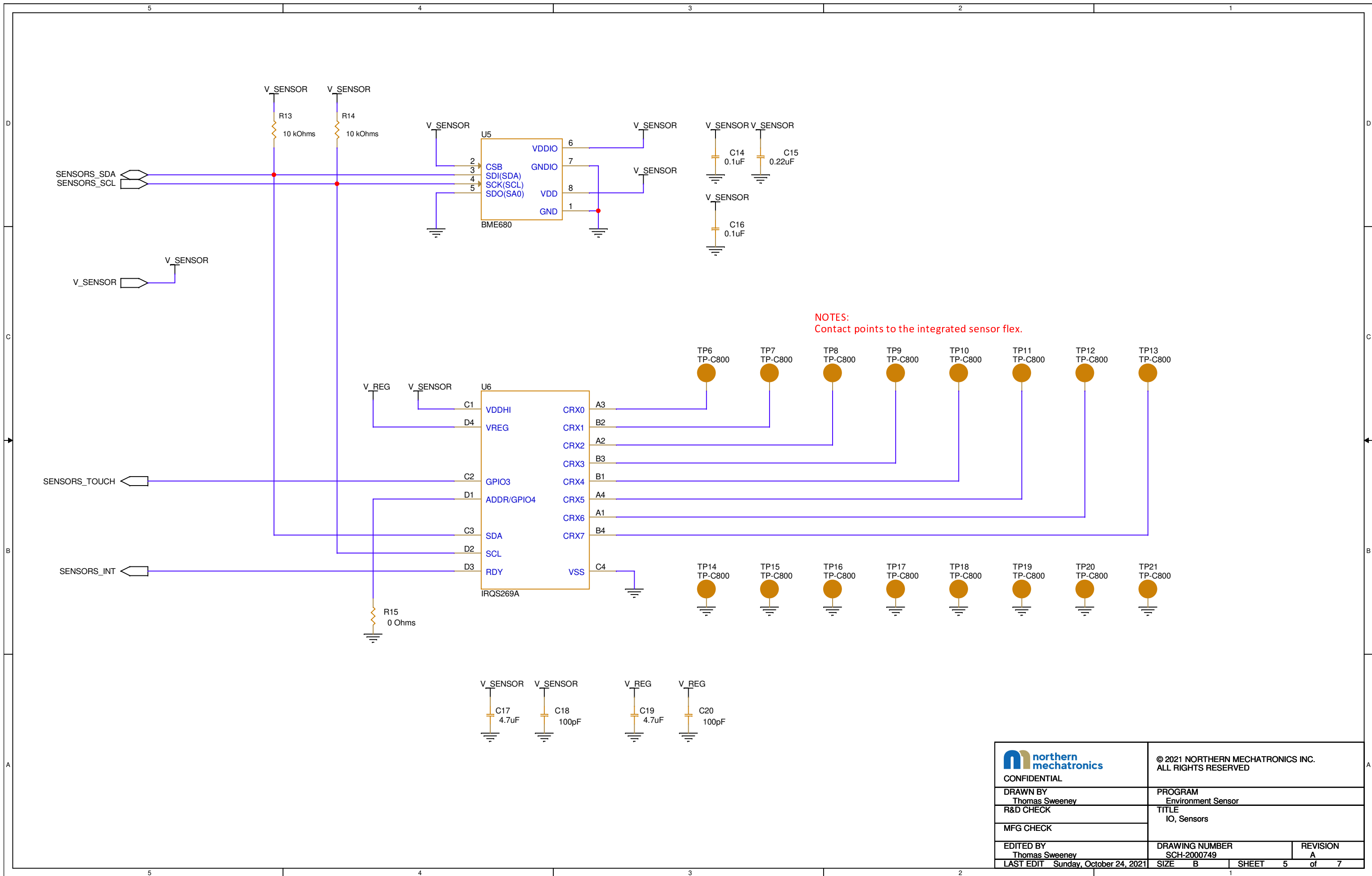


NOTES:
Contact points to the integrated antenna flex.


DEVELOPMENT



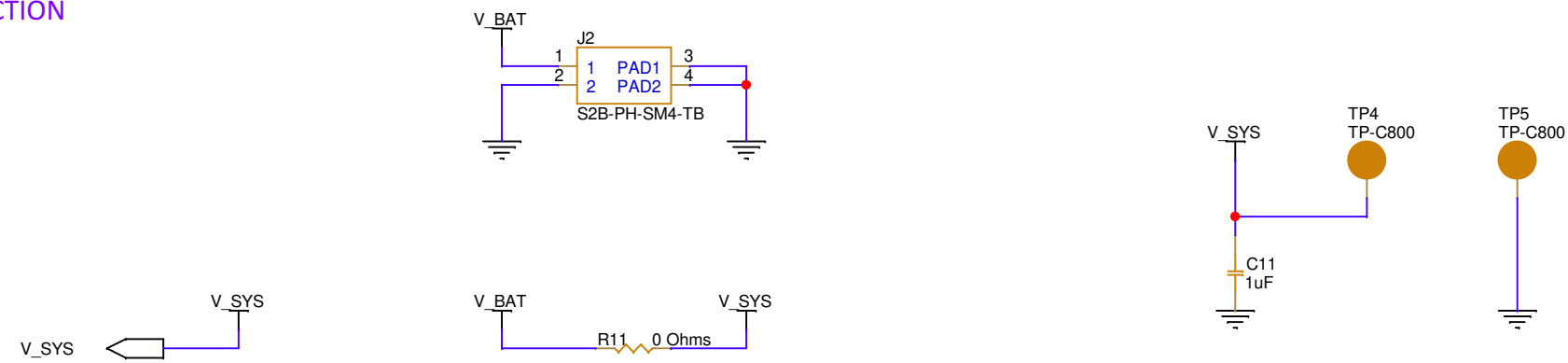
		© 2020 NORTHERN MECHATRONICS INC. ALL RIGHTS RESERVED	
CONFIDENTIAL		PROGRAM Environment Sensor	
DRAWN BY Thomas Sweeney		TITLE Application Processor, RF Section	
R&D CHECK		MFG CHECK	
EDITED BY Thomas Sweeney		DRAWING NUMBER SCH-2000749	REVISION A
LAST EDIT Sunday, October 24, 2021	SIZE B	SHEET 4	of 7



NOTES:
Contact points to the integrated sensor flex.

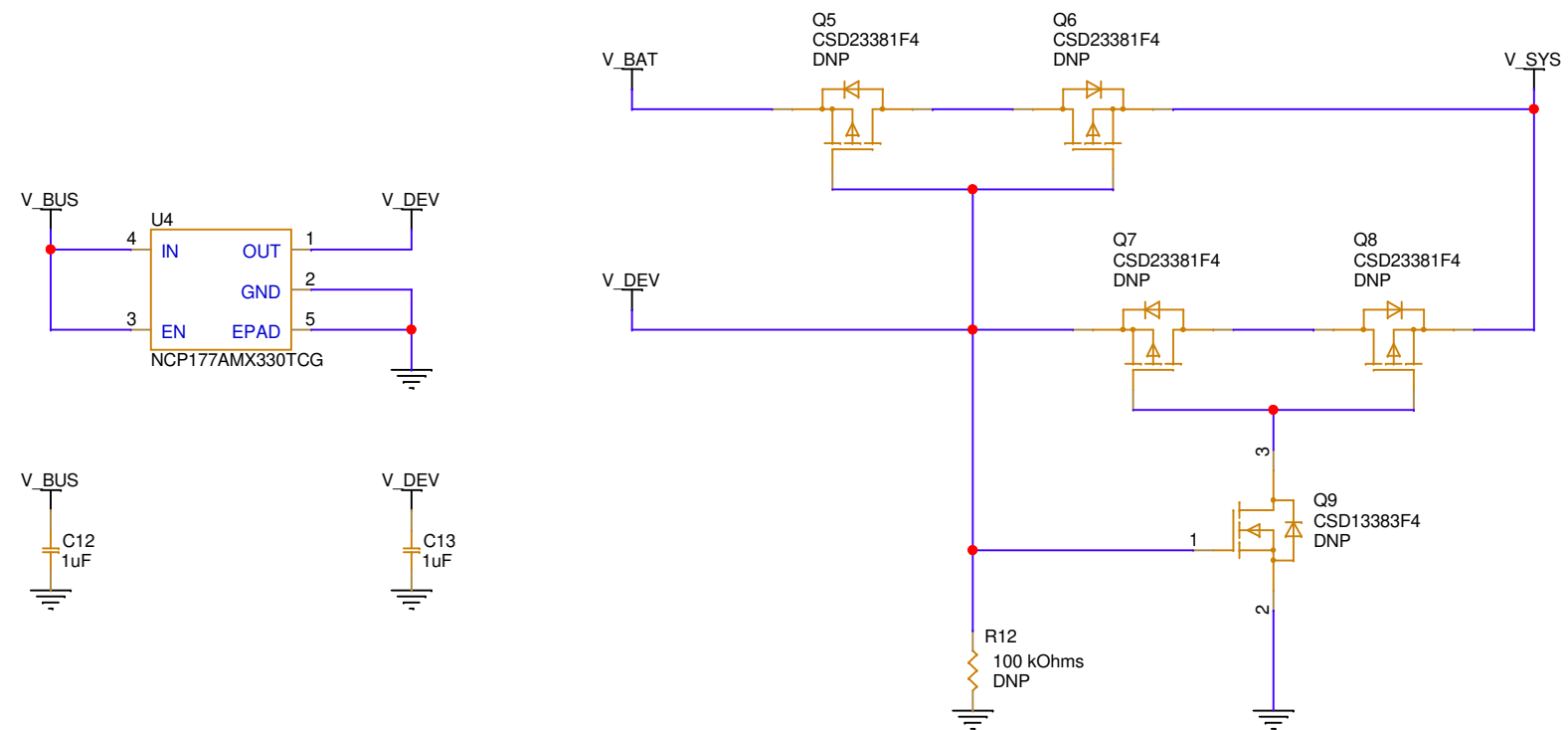
		© 2021 NORTHERN MECHATRONICS INC. ALL RIGHTS RESERVED	
CONFIDENTIAL		PROGRAM Environment Sensor	
DRAWN BY Thomas Sweeney		TITLE IO, Sensors	
R&D CHECK			
MFG CHECK			
EDITED BY Thomas Sweeney		DRAWING NUMBER SCH-2000749	REVISION A
LAST EDIT Sunday, October 24, 2021	SIZE B	SHEET 5	of 7

PRODUCTION



Populate either the jumper resistor R11 or the entire development circuit but not both.

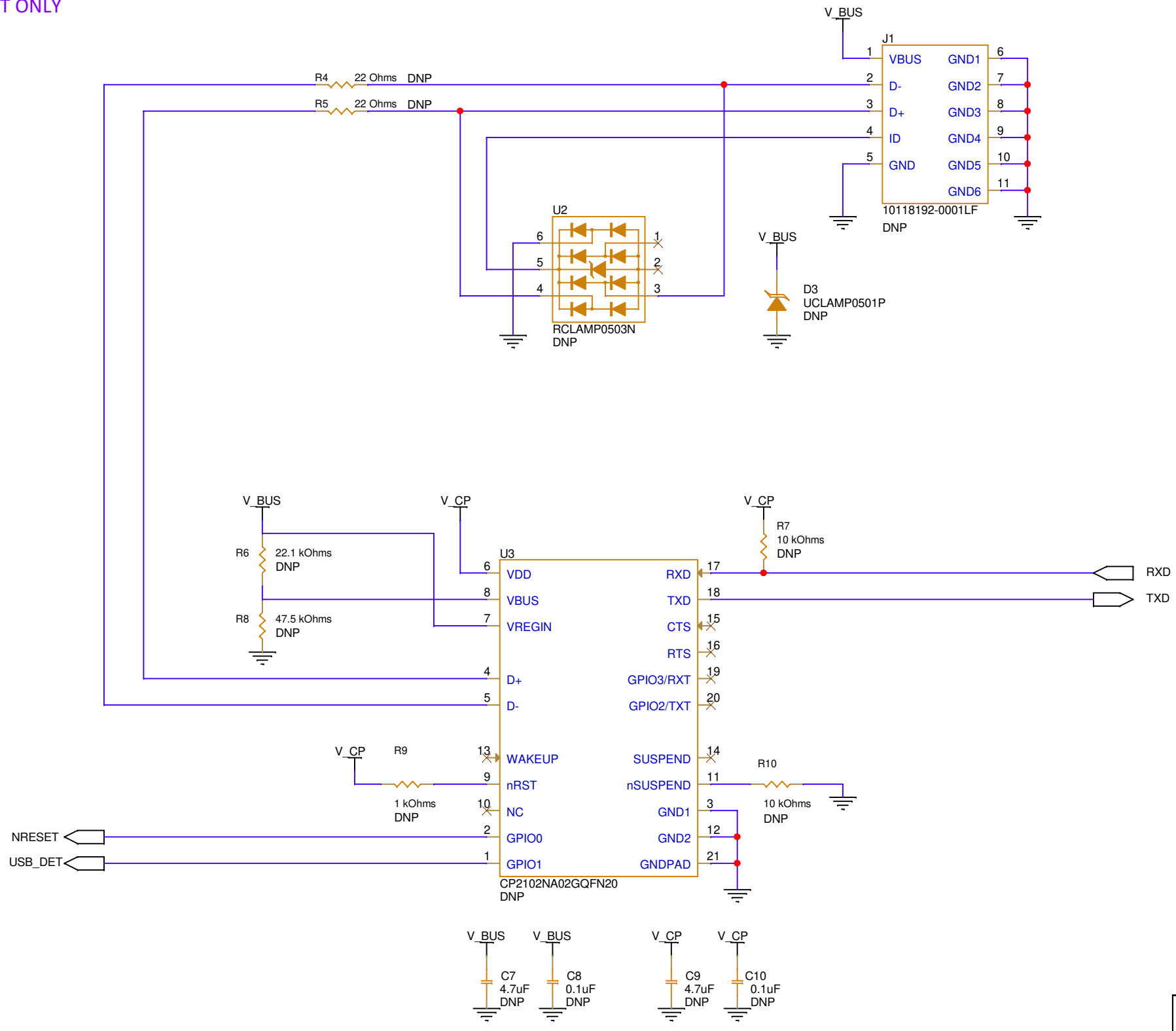
DEVELOPMENT



NOTES:
V_TH of the PMOS is at 0.9V. For a V_DEV of 3.3V this circuit will be able to accommodate cell voltage of LiSOCL2 (3.6V), LiMnO2 (3.0V), and Li (3.3V).

		© 2021 NORTHERN MECHATRONICS INC. ALL RIGHTS RESERVED	
CONFIDENTIAL		PROGRAM Environment Sensor	
DRAWN BY Thomas Sweeney		TITLE Power	
R&D CHECK		MFG CHECK	
EDITED BY Thomas Sweeney		DRAWING NUMBER SCH-2000749	REVISION A
LAST EDIT Sunday, October 24, 2021		SIZE B	SHEET 6 of 7

FOR DEVELOPMENT ONLY



		© 2021 NORTHERN MECHATRONICS INC. ALL RIGHTS RESERVED	
CONFIDENTIAL		PROGRAM Environment Sensor	
DRAWN BY Thomas Sweeney		TITLE USB to Serial Interface	
R&D CHECK <R&D Check>		MFG CHECK <MFG Check>	
EDITED BY Thomas Sweeney		DRAWING NUMBER SCH-2000749	REVISION B
LAST EDIT Sunday, October 24, 2021	SIZE B	SHEET 7	of 7